

Revel® Ultima Voice™2 Pedestal

Unpacking Instructions

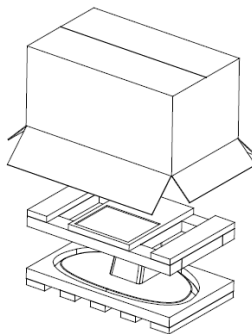
Thank you for purchasing the Ultima Voice™2 Pedestal for your Revel® Ultima Voice™2 Loudspeaker. Follow the instructions below to unpack the pedestal.

UNPACKING

Step 1: Place the packing carton upside-down and fully open the bottom flaps.

Step 2: Without allowing the flaps to close, invert the packing carton. Lift the packing carton off of the pedestal, leaving the packing material in place.

Step 3: To complete unpacking the pedestal, remove the Unpacking & Installation Instructions sheet from the end pad and refer to the "Unpacking" instructions.



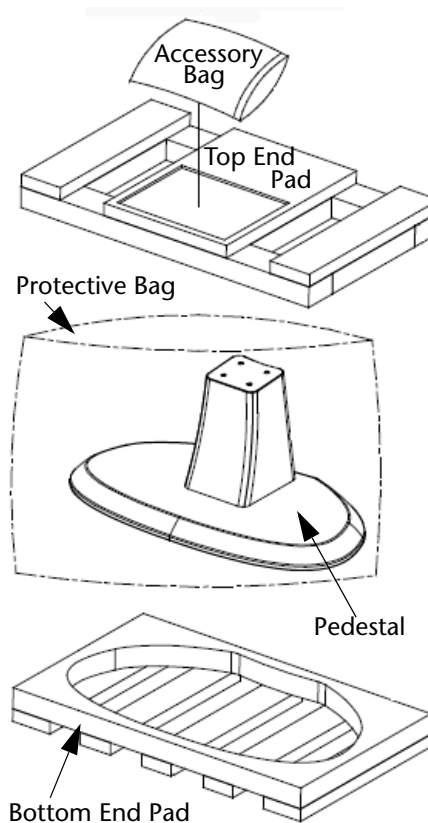
Step 4: Remove the Top End Pad from the top of the pedestal.

Step 5: Lift the pedestal from the Bottom End Pad. Put both end pads aside.

Step 6: Remove the cloth bag. Handle carefully to ensure that the pedestal isn't scuffed or bumped.

You are now ready to begin the Pedestal installation procedure. Turn this sheet over to begin.

NOTE: Save all original packaging materials.



Harman Specialty Group
3 Oak Park Drive
Bedford, MA 01730-1413
USA

Tel 781-280-0300
Fax 781-280-0490
www.revelspeakers.com

Customer Service
Tel 781-280-0300
Fax 781-280-0495 (Sales)
Fax 781-280-0499 (Service)

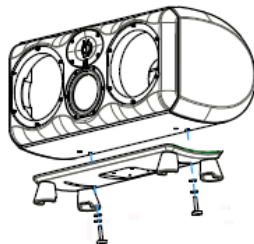
Revel® Ultima Voice™2 Pedestal

Installation Instructions

Thank you for purchasing the Voice2 Pedestal for your Revel® Ultima Voice™2 Loudspeaker. Follow the instructions below to install the pedestal.

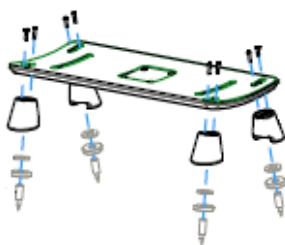
INSTALLATION

Step 1: Set the Ultima Voice™2 Loudspeaker upside down on a soft non-scratch surface.



Step 2: Remove the speaker from its cradle by carefully removing the tilt adjustment knobs, felt washers, and metal washers.

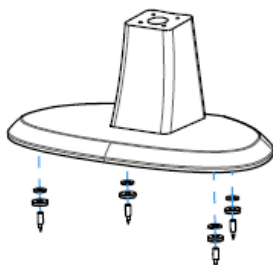
Note: Keep the knobs and washers together as they'll be re-used in Step 6.



Step 3: If the combination spikes/glides were installed on the cradle, remove the spikes, felt washers, and knurled locking rings. If the combination spikes/glides were not installed, continue to Step 4.

Step 4: Remove the feet and screws from the cradle. Put them aside.

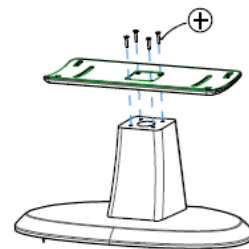
Step 5: Install the combination spikes/glides with the felt washers and knurled locking rings to the bottom of the pedestal. Hand-tighten the spikes firmly, but do NOT over-tighten.



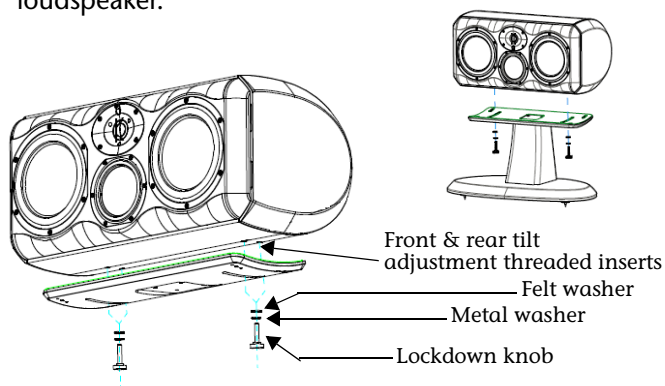
Note: If the combination spikes/glides were not previously installed on the cradle, the hardware will be with the loudspeaker hardware accessories.

Note: Refer to the Ultima Voice™2 Loudspeaker Owner's Manual for further instructions on how to install the combination spikes/glides to the bottom of the pedestal.

Step 6: Use the four Phillips head screws located in the Pedestal accessories bag to install the cradle to the top of the pedestal. Tighten the screws firmly but do NOT over-tighten.



Step 7: Install the loudspeaker onto the cradle/pedestal assembly. Insert each threaded tilt adjustment knob first through a metal washer and then through a felt washer before inserting it into one of the threaded inserts toward the rear of the loudspeaker.



Step 8: Slide the loudspeaker in the cradle to adjust the tilt. When the loudspeaker has been appropriately positioned, firmly hand-tighten the tilt adjustment knobs to lock the loudspeaker in place. Do NOT over-tighten.



Harman Specialty Group
3 Oak Park Drive
Bedford, MA 01730-1413
USA

Tel 781-280-0300
Fax 781-280-0490
www.revelspeakers.com

Customer Service
Tel 781-280-0300
Fax 781-280-0495 (Sales)
Fax 781-280-0499 (Service)